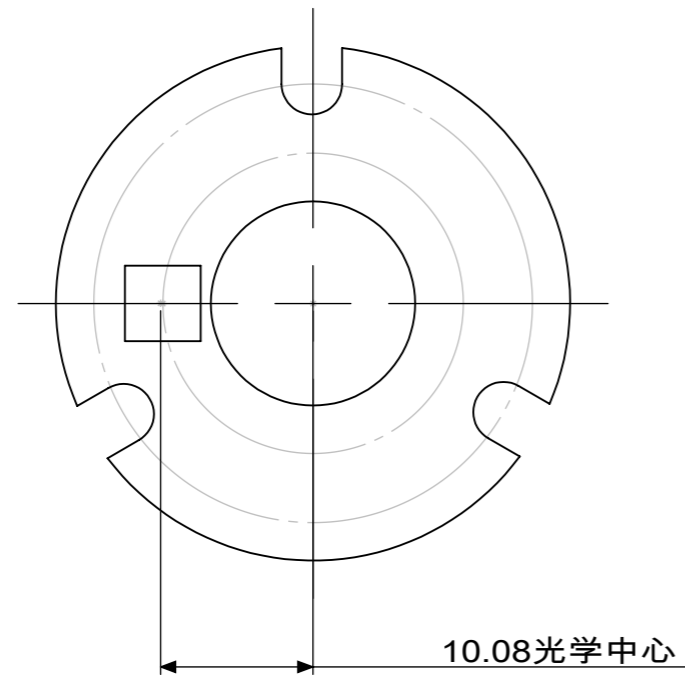
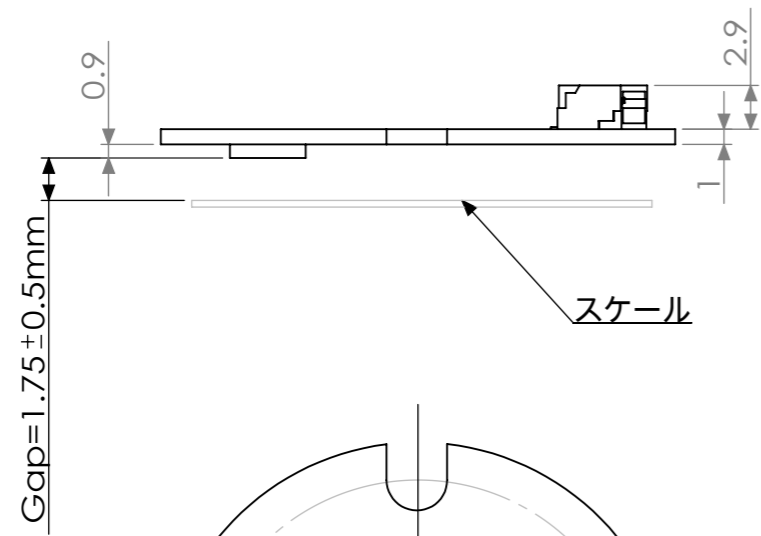
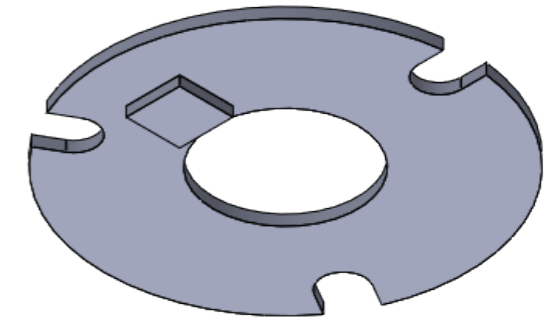
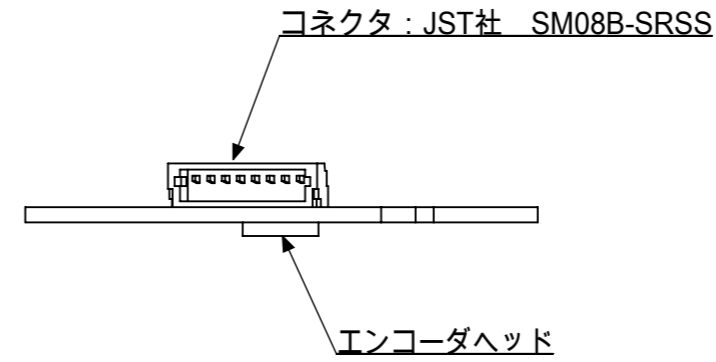
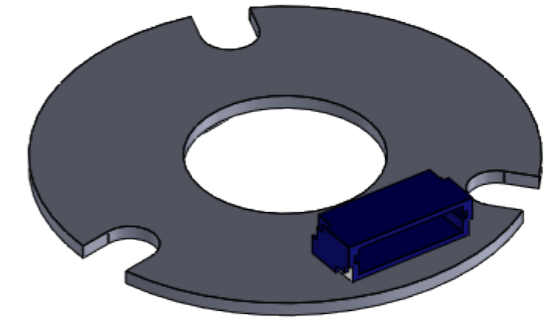


Pin Map	
8	SLI-
7	SLI+
6	SLO-
5	SLO+
4	MA-
3	MA+
2	DC+5V
1	GND



MODEL	USED NO	一般仕上げ S	TOLERANCE	TECHNO HANDS CO.,LTD.
APP	CHECK	DRAWN	ANGLE	
		尹	SCALE	FINISH
	23/08/18			MATERIAL
				PARTS NAME
				TIR-205
				PARTS NO
				訂番 01