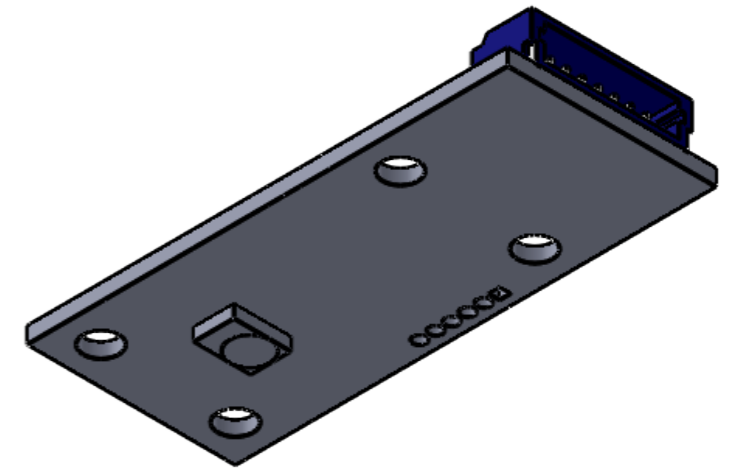
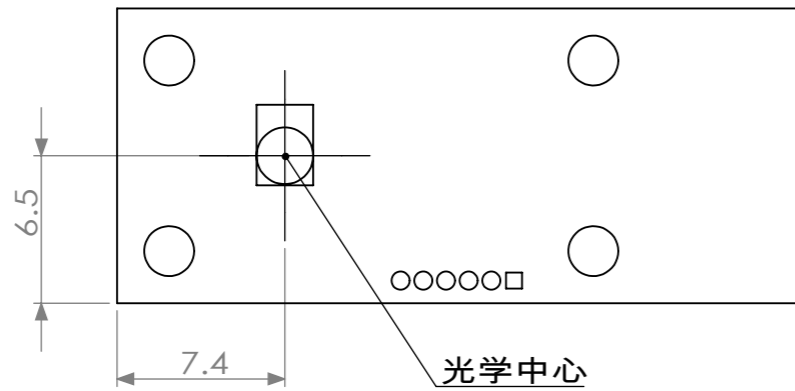
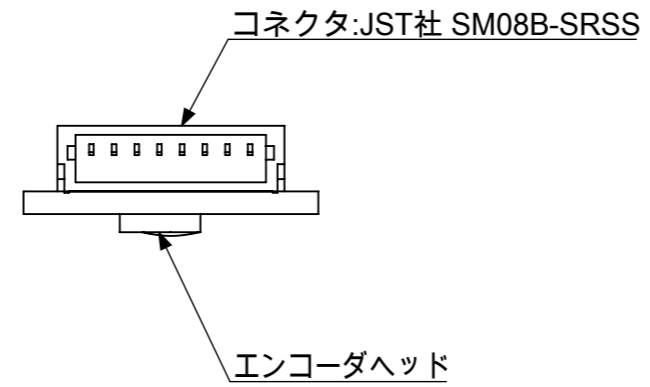
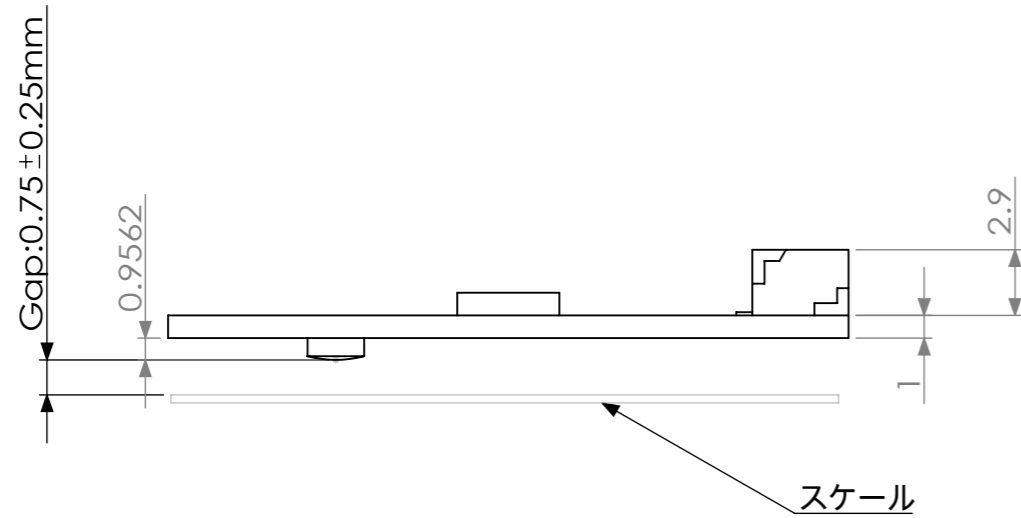
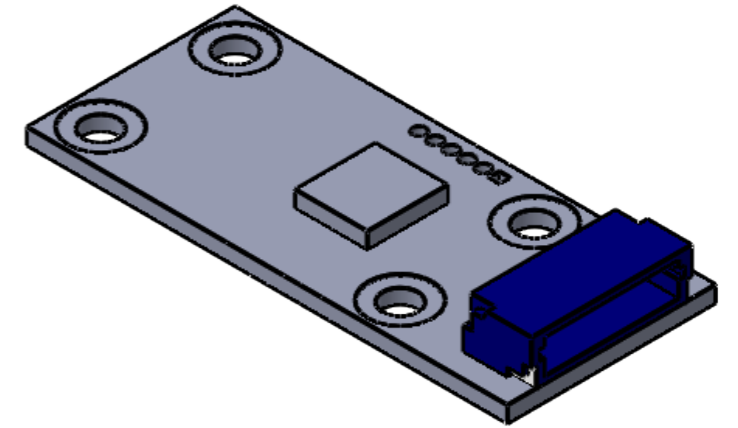


| Pin Map |       |
|---------|-------|
| 8       | GND   |
| 7       | DC+5V |
| 6       | A+    |
| 5       | A-    |
| 4       | B+    |
| 3       | B-    |
| 2       | Z+    |
| 1       | Z-    |



|       |         |          |           |   |          |          |       |
|-------|---------|----------|-----------|---|----------|----------|-------|
| MODEL | USED NO | 一般仕上げ S  | TOLERANCE | <b>TECHNO HANDS CO.,LTD.</b><br>PARTS NAME <b>TAI-200</b> |          |          |       |
| APP   | CHECK   | DRAWN    | ANGLE     |   | 指示無き面取り  |          |       |
|       |         | 尹        | SCALE     | ⊙   | MATERIAL | PARTS NO | 訂番 01 |
|       |         | 23/08/18 |           |   |          |          |       |