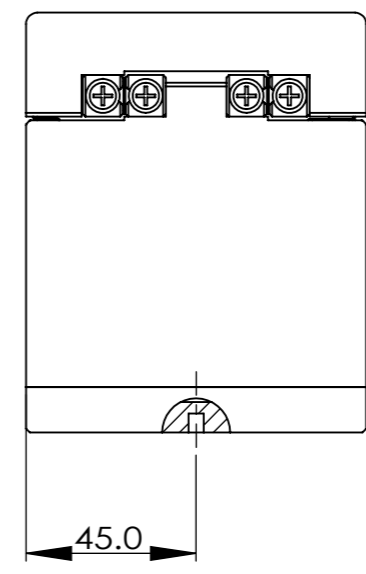
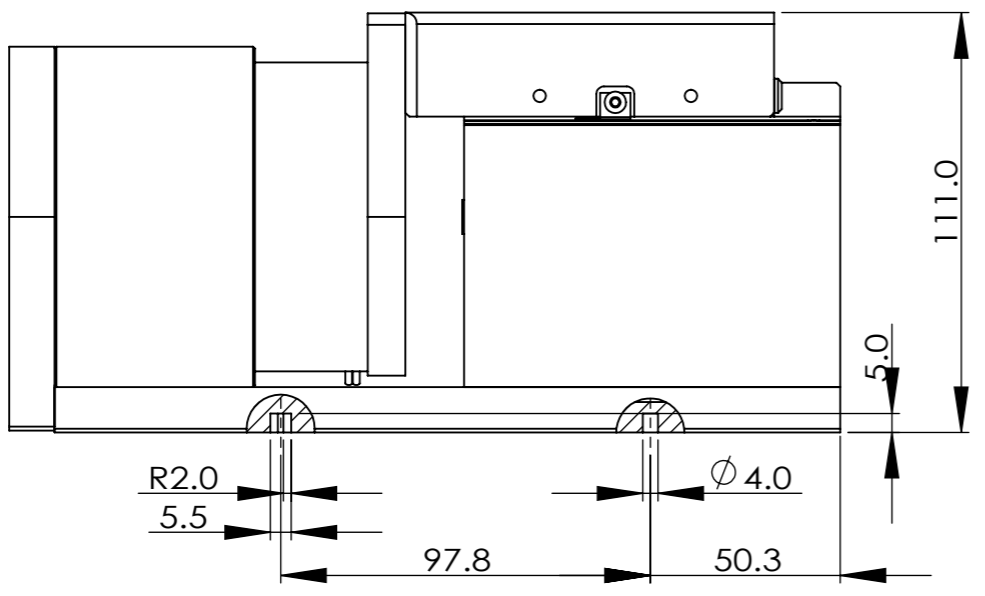
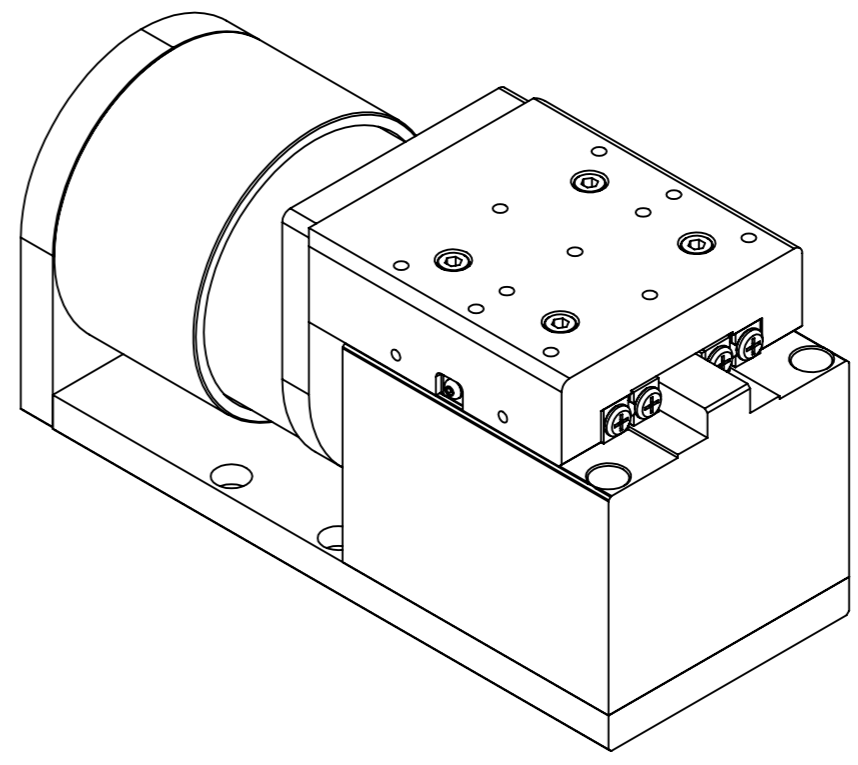
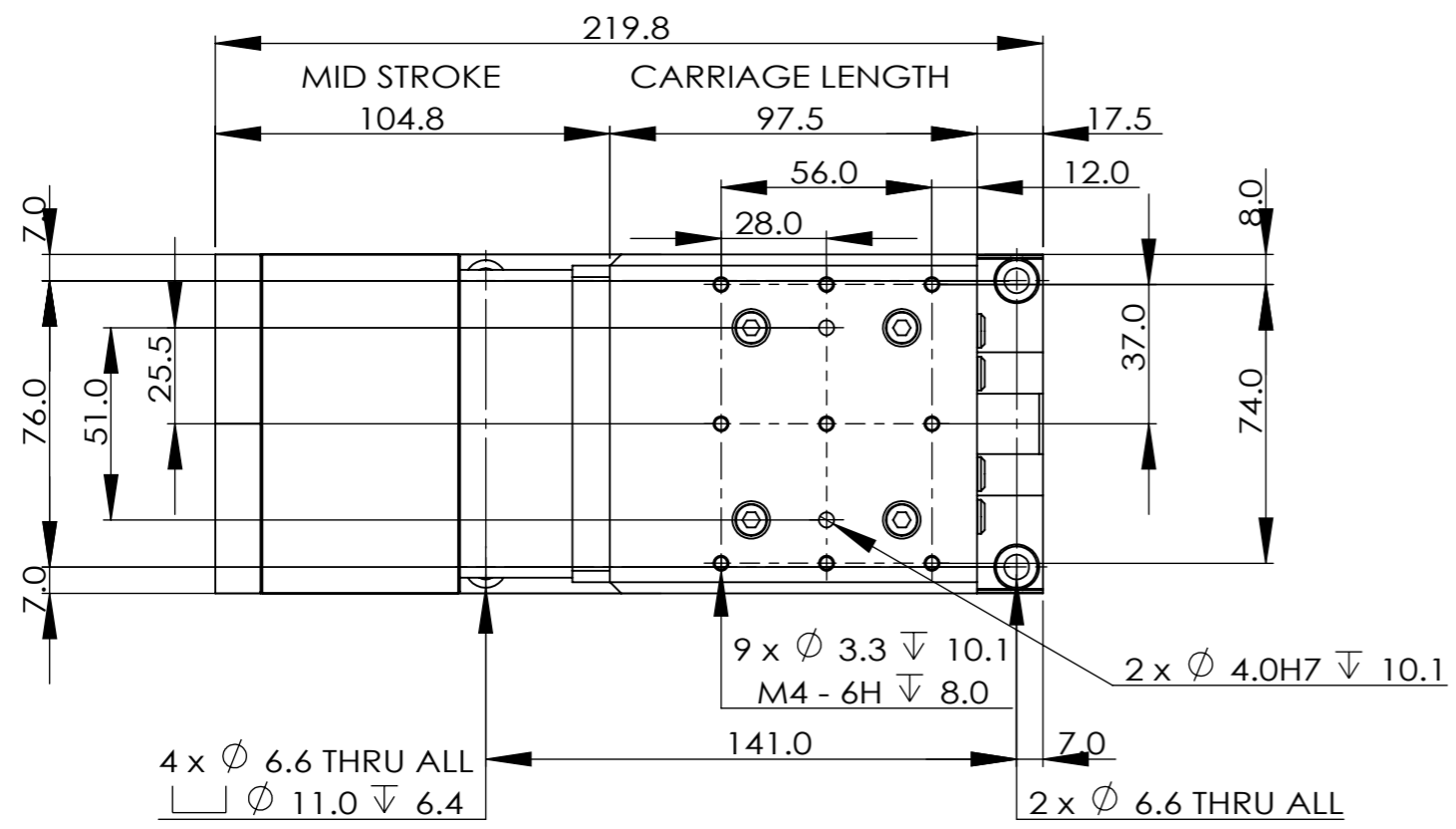


8 7 6 5 4 3 2 1

REV	DESCRIPTION	BY	DATE	APPD
00	INITIAL RELEASE	GSC	2020/4/28	HH



RELEASED DATE:
2024/4/25

AKRIBIS SYSTEMS CONFIDENTIAL: THIS DOCUMENT AND THE INFORMATION CONTAINED IN IT ARE CONFIDENTIAL, AND CANNOT BE COPIED OR DISCLOSED IN WHOLE OR IN PART WITHOUT WRITTEN CONSENT OF AKRIBIS SYS PTE LTD	UNLESS OTHERWISE SPECIFIED, ALL DIMENSIONS IN mm	Designed	GSC	2020/4/28	Akribis Systems Pte Ltd ©2004. All rights reserved. Model: NA Title : XMGV90-30 Dwg No: Sheet: 1 OF1 Rev: 00	
	REMOVE ALL SHARP EDGES	Drawn	GSC	2020/4/28		
	GENERAL TOLERANCE X \pm 0.25mm X.X \pm 0.1mm X.XX \pm 0.05mm X.XXX \pm 0.025mm	3rd ANGLE PROJECTION	Checked	QBA		2024/4/25
			Approved	QBA		2024/4/25
			Material	NA		
			Surface Treatment	NA		
		Heat Treatment	NA			
		Quantity	NA			

8 7 6 5 4 3 2 1