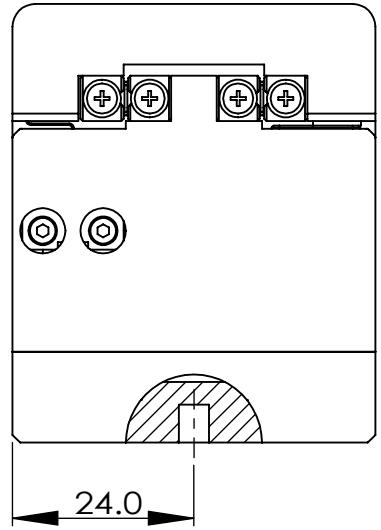
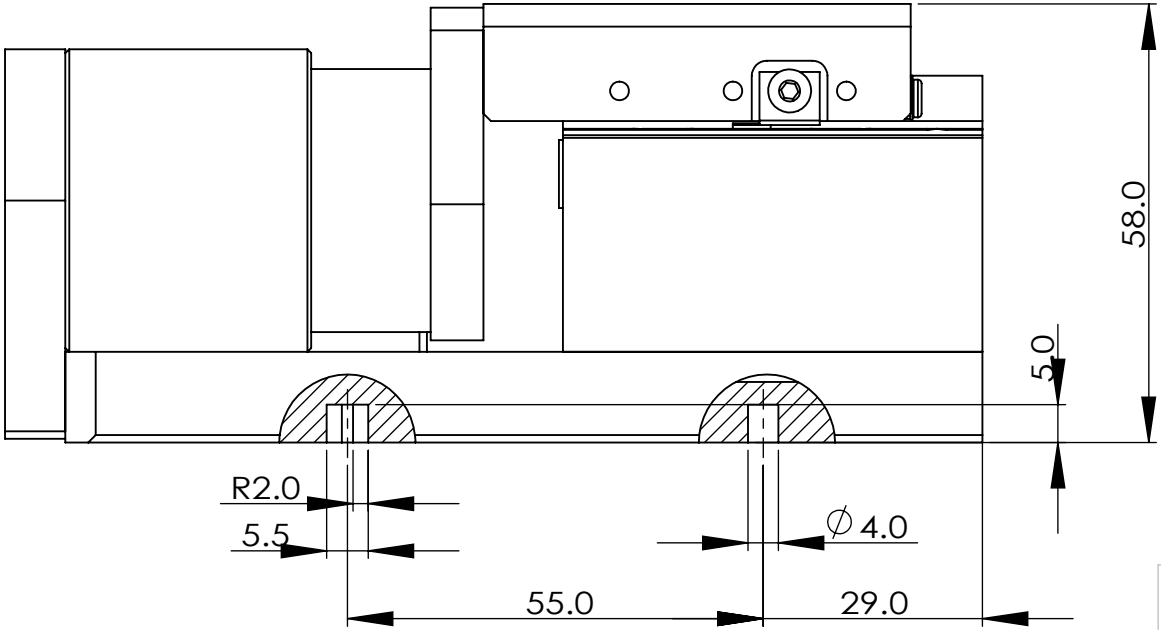
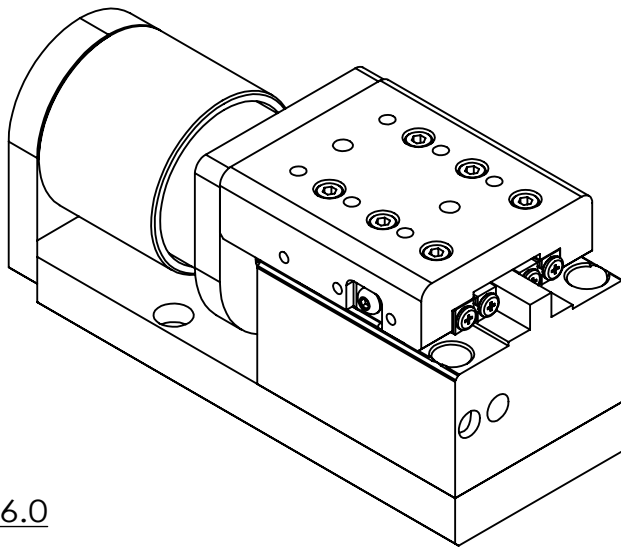
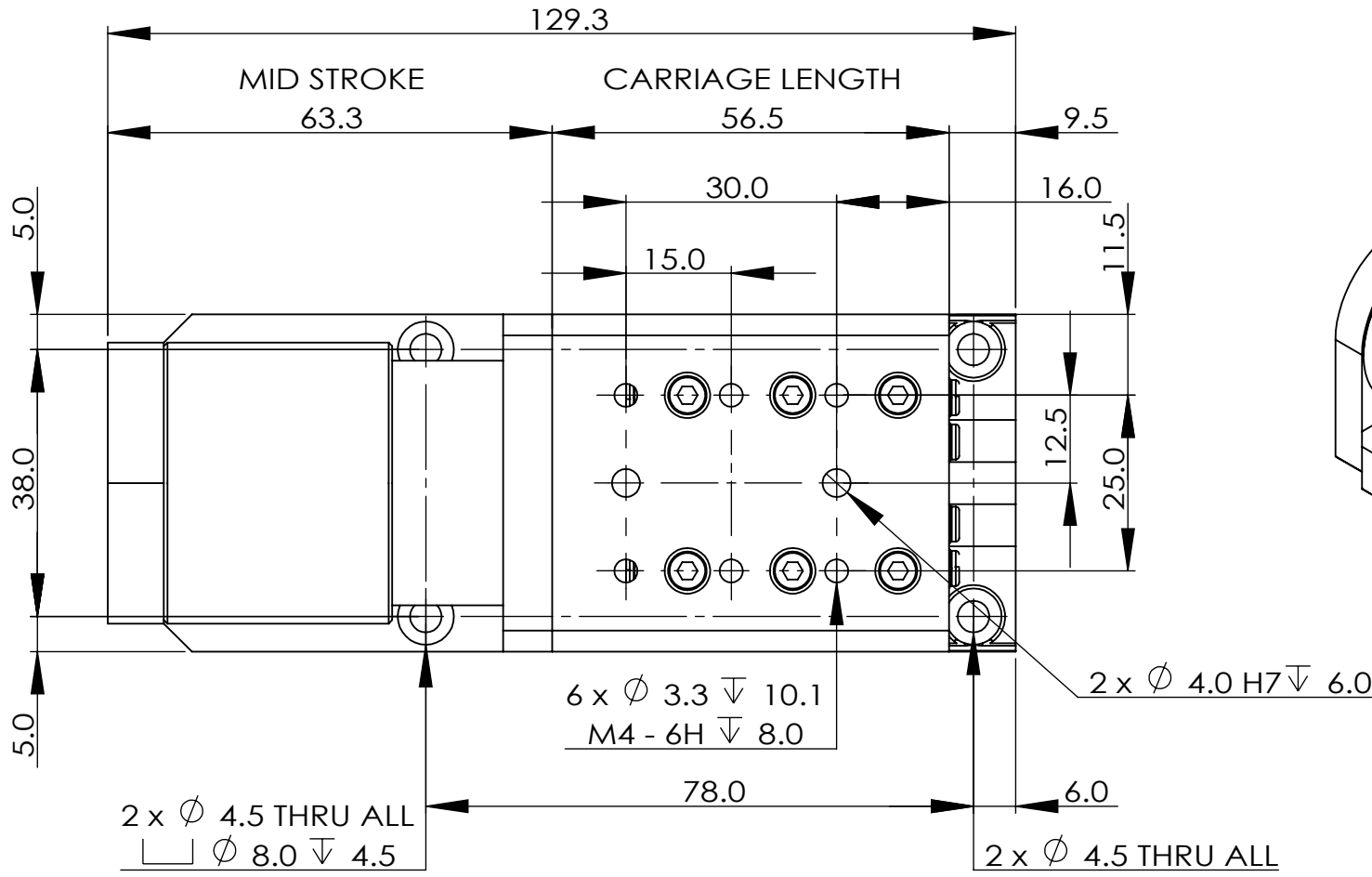


8 7 6 5 4 3 2 1

REV	DESCRIPTION	BY	DATE	APPD
00	INITIAL RELEASE	GSC	2020/4/28	HH



RELEASED DATE:
2024/4/25

<p>AKRIBIS SYSTEMS CONFIDENTIAL: THIS DOCUMENT AND THE INFORMATION CONTAINED IN IT ARE CONFIDENTIAL, AND CANNOT BE COPIED OR DISCLOSED IN WHOLE OR IN PART WITHOUT WRITTEN CONSENT OF AKRIBIS SYS PTE LTD</p>	UNLESS OTHERWISE SPECIFIED, ALL DIMENSIONS IN mm	Designed	GSC	2020/4/28	<p>Akribis Systems Pte Ltd ©2004. All rights reserved.</p>	
	REMOVE ALL SHARP EDGES	Drawn	GSC	2020/4/28		
	<p>GENERAL TOLERANCE X \pm 0.25mm X.X \pm 0.1mm X.XX \pm 0.05mm X.XXX \pm 0.025mm</p>	<p>3rd ANGLE PROJECTION</p>	Checked	QBA		2024/4/25
			Approved	QBA		2024/4/25
			Material	NA		Model: NA
			Surface Treatment	NA		Title : XMGV40-20
Heat Treatment	NA	Dwg No:				
Quantity	NA	Sheet: 1 OF 1	Rev: 00			

8 7 6 5 4 3 2 1